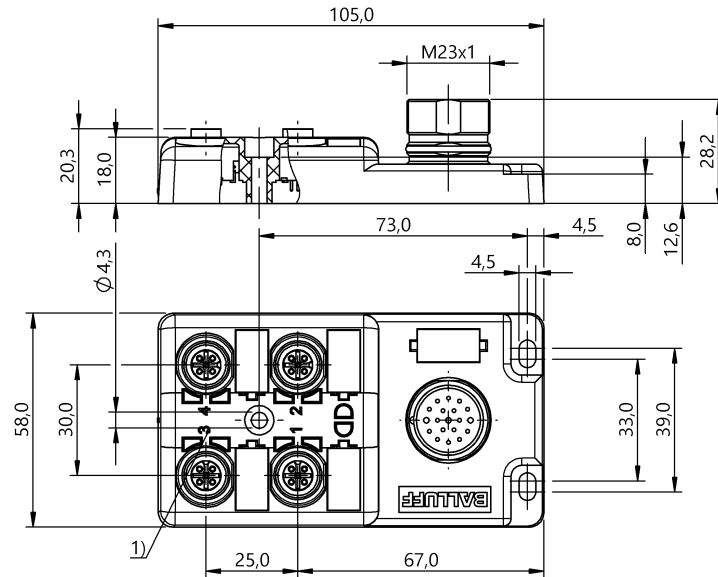


Junction blocks
BPI 4M4A50-2K-B0-SM6LT
 Order Code: BPI00JJ

BALLUFF



1) Slot numbering



Basic features

| | |
|----------------------------|-------------------------------------|
| Approval/Conformity | CE UKCA cULus WEEE |
| Scope of delivery | Part labels (24x) Cover cap (2x) |

Electrical connection

| | |
|-------------------------|------------------------|
| Connection slots | 4x M12x1-Female, 5-pin |
|-------------------------|------------------------|

Electrical data

| | |
|--|-------------------------|
| Isolation resistance | ≥ 10 GOhm |
| Operating voltage U_b | 10...60 VDC/10...60 VAC |
| Output current max. | 4 A |
| Rated operating voltage U_e DC | 24 V |
| Total current max. | 8 A |

Environmental conditions

| | |
|----------------------------|------------------------|
| Ambient temperature | -25...80 °C |
| IP rating | IP67, when threaded in |

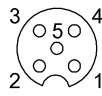
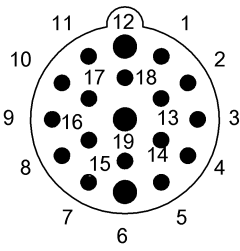
Material

| | |
|---------------------------------|------------------------------|
| Housing material | PBT, GF |
| Material contact carrier | PBT |
| Material contacts | Bronze (CuSn6), nickel layer |

Mechanical data

| | |
|----------------------------------|---------------------------------|
| Casting | yes |
| Dimension | 105 x 58 x 28.5 mm |
| Mounting part | M4 (3x) |
| Tightening torque | 1.2 Nm ±0.2 (M4) |
| Tightening torque pigtail | 0.6 Nm + 0.1 Nm (M12 connector) |

Connector Drawings



- PIN 1: +24V
- PIN 2: Signal 2
- PIN 3: 0V
- PIN 4: Signal 1
- PIN 5: PE

Wiring Diagrams

